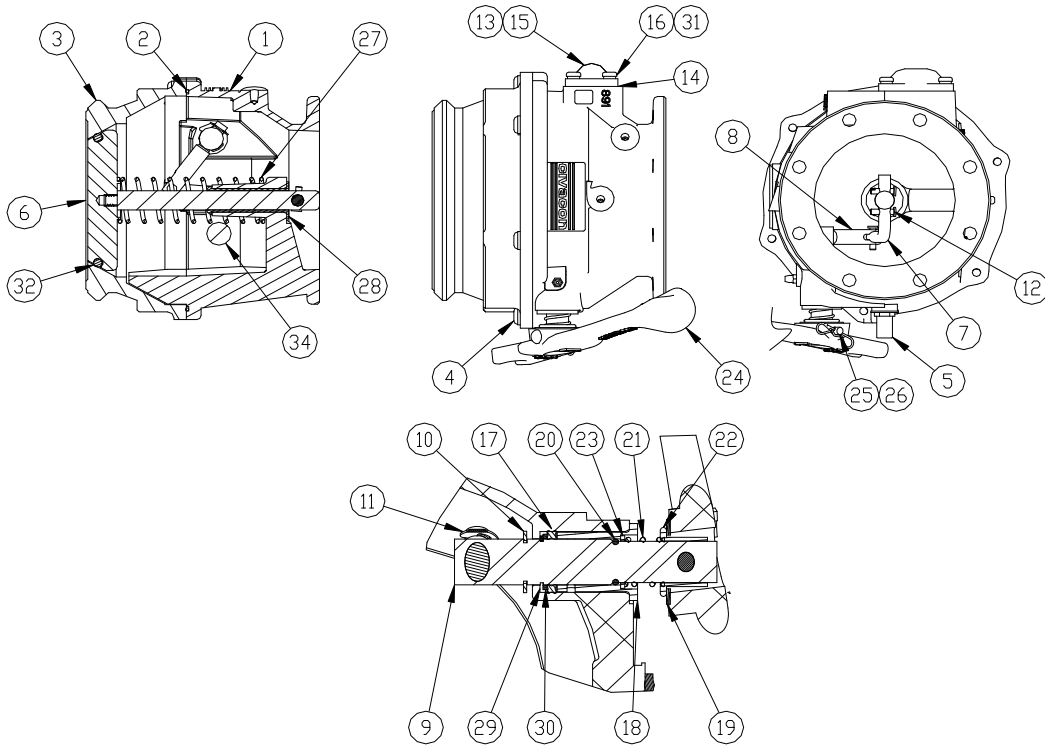




891BA Bottom Loading Adaptor

PARTS BREAK DOWN



ITEM	PART NUMBER	DESCRIPTION	QTY.
1	11548	BODY, MACHINED	1
2	11905 ²	O-RING	1
3	11550	ADAPTOR FACE	1
4	12514	BUTTON HEAD CAP SCREW	6
5	12489	STOP PIN	1
6	11850	POPPET	1
7	12331	LINK, POPPET/HANDLE	1
8	12330	LINK, SHAFT	1
9	11543 ³	SHAFT	1
10	11661	E-CLIP	1
11	11662	E-CLIP	1
12	11618	CLEVIS PIN	3
13	11365M ⁴	SIGHT GLASS	1
14	H51437M ⁴	O-RING	1
15	H51384M ⁴	FLOAT BALL	1
16	12490 ⁴	SCREW	4
17	11705 ^{2,3}	QUAD RING	1
18	11536 ³	BEARING	1
19	10840 ^{1,3}	NYLON WASHER	1
20	H06924M ^{2,3}	O-RING	1

ITEM	PART NUMBER	DESCRIPTION	QTY.
21	H20182M ^{1,3}	SPRING	1
22	11490 ^{1,3}	HUB	1
23	H20199M ³	NYLON WASHER	1
24	11460 ¹	HANDLE	1
25	H08901M ^{1,3}	FULCRUM PIN	1
26	11623 ^{1,3}	BOWTIE CLIP	1
27	11664	SPRING	1
28	11665	BEARING	1
29	11703 ³	RETAINING RING	1
30	11704 ³	WASHER	1
31	H20057M	LOCK WASHER	4
32	H20058M ²	O-RING	1
33	120491	PLUG, 3/8" NPT	1

REPAIR KITS	
891HRK	HANDLE REPAIR KIT
891ORK	O-RING REPAIR KIT
891SRK	SHAFT REPAIR KIT
891BRK	SIGHT GLASS REPAIR KIT

1—Included in 891HRK, 2—Included in 891ORK, 3—Included in 891SRK, 4—Included in 891BRK